

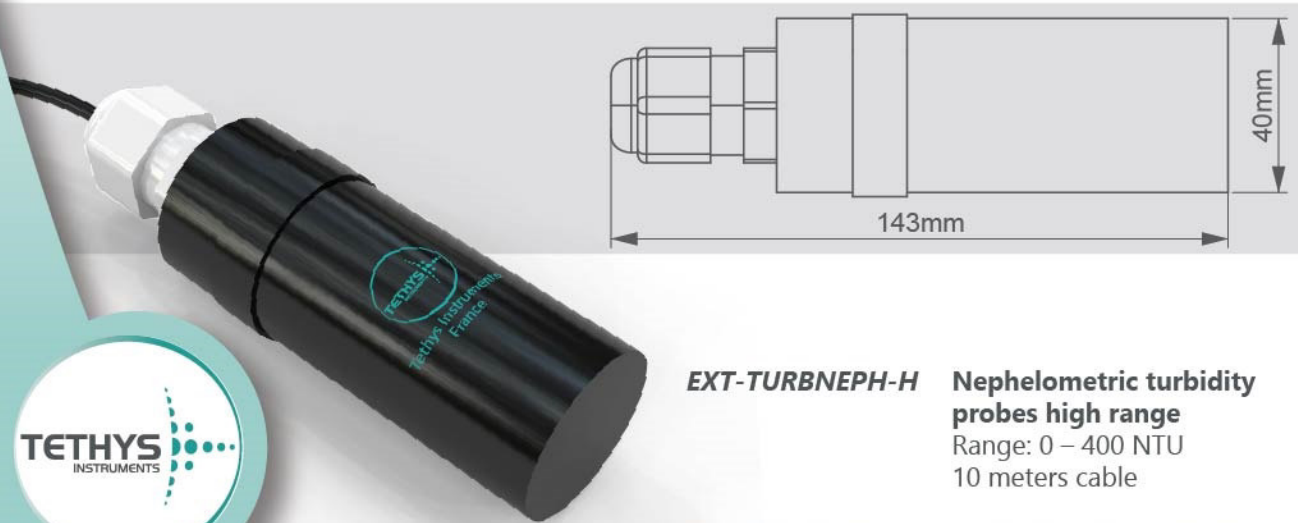
> **TURBIDITY PROBE**

Tethys Turbidity probes are based on Nephelometric Method (ISO 7027 – EN 27027). A light beam is sent to the sample through an optical lens. The 90 degree scattered light by suspended particle is collected by the probe through a second lens and it is converted in an electric signal proportional to the turbidity of the sample.

The probe uses an infrared light and the measuring is not affected by the color of the sample. They are suitable for measurement of turbidity in water quality monitoring, municipal and industrial water treatment and Aquaculture.

specifications

Measurement Range	0 - 4.000 NTU, 0 – 40.00 NTU, 0 – 400.0 NTU
Measurement Technique	Nephelometric
Detector	90° scattered light detector
Light Source	Infrared
Ambient Temperature Range	-5 to 50°C
Working Pressure	6 bar maximum at 25°C
Body material	PVC
Integral Sensor Cable Length	10 meter
Mounting	In-line or In-flow
Probe Warrantee	1 Year



EXT-TURBNEPH-H Nephelometric turbidity probes high range
Range: 0 – 400 NTU
10 meters cable

EXT-TURBNEPH-M Nephelometric turbidity probes medium range
Range: 0 – 40 NTU
10 meters cable

EXT-TURBNEPH-L Nephelometric turbidity probes low range
Range: 0 – 4 NTU
10 meters cable